

Core pull cylinder in casting machine

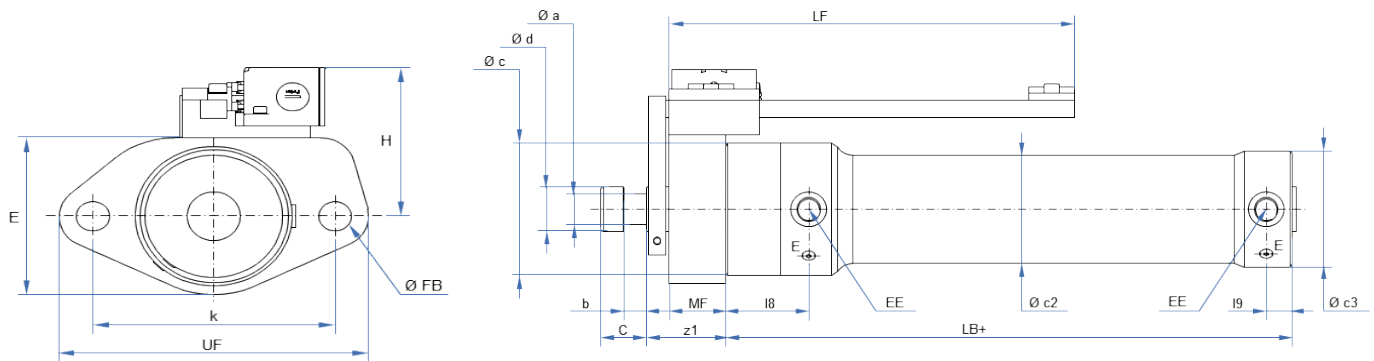
Core pull cylinders are especially sturdy hydraulic cylinders adapted to the requirements in die-casting machines.

With the externally installed position detection system with limit switch, both end positions can be set flexibly to any position. The piston rod is torsion-locked by the position detection system.

A modern sealing system prolongs the service life of the cylinders.

- + Design**
Single-rod cylinder, optional with cushioning
- + Mounting**
Cylinder: Quick change flange, head side
Piston rod: Flanged rod end
- + Configurations**
Sealing system of the cover: Servocop®
PU/NBR for hydraulic oil up to 100°C
PU+/NBR for HFC up to 60°C
FKM for temperatures up to 200°C
- + Hydraulic ports**
in acc. with ISO 228
Connection position: cap and head side
- + Quality of piston rod**
20MnV6 chrome-plated and honed
42CrMo4V hardened, chrome-plated and honed
- + Permissible pressure**
up to 160 bar





| Piston Ø | Rod Ø | Port | Ventilation | LB | a | d | C | b | c | c2 | c3 | l8 | l9 |
|----------|-------|---------|-------------|-----|----|-----|-----|----|-----|-----|-----|-----|------|
| 40 | 20 | G 1/4 | M 8 x 1 | 100 | 13 | 19 | 20 | 10 | 68 | 50 | 52 | 33 | 14 |
| 50 | 25 | G 3/8 | M 8 x 1 | 108 | 17 | 24 | 26 | 13 | 80 | 60 | 64 | 34 | 15 |
| 60 | 30 | G 1/2 | M 8 x 1 | 117 | 20 | 29 | 30 | 15 | 95 | 70 | 76 | 41 | 17 |
| 80 | 40 | G 1/2 | M 8 x 1 | 149 | 27 | 39 | 40 | 20 | 116 | 95 | 102 | 49 | 23 |
| 100 | 50 | G 3/4 | M 8 x 1 | 169 | 34 | 49 | 50 | 25 | 140 | 120 | 126 | 56 | 22 |
| 125 | 60 | G 1 | M 8 x 1 | 188 | 40 | 59 | 60 | 30 | 168 | 145 | 158 | 63 | 38 |
| 140 | 80 | G 1 1/4 | M 8 x 1 | 216 | 54 | 79 | 80 | 40 | 200 | 160 | 180 | 75 | 31 |
| 160 | 100 | G 1 1/4 | M 8 x 1 | 234 | 67 | 99 | 100 | 50 | 220 | 190 | 202 | 80 | 50 |
| | 120 | G 1 1/4 | M 8 x 1 | 273 | 80 | 119 | 120 | 60 | 240 | 220 | 228 | 110 | 46,5 |

| Piston Ø | Rod Ø | z1 | MF | k | FB | UF | E | H | LF+ | Cylinder | Flange | Position detection system |
|----------|-------|----|----|-----|----|-----|-----|-----|-----|----------|----------|---------------------------|
| 40 | 20 | 15 | 40 | 105 | 18 | 141 | 80 | 98 | 60 | 55568243 | 55568253 | 55568261 |
| 50 | 25 | 23 | 40 | 150 | 25 | 200 | 90 | 103 | 60 | 55568242 | 55568252 | 55568260 |
| 60 | 30 | 25 | 50 | 160 | 25 | 210 | 110 | 113 | 60 | 55568241 | 55568251 | 55568259 |
| 80 | 40 | 25 | 50 | 180 | 25 | 230 | 130 | 123 | 60 | 55567970 | 55567984 | 55568021 |
| 100 | 50 | 28 | 55 | 210 | 25 | 260 | 150 | 133 | 60 | 55568244 | 55568254 | 55568262 |
| 125 | 60 | 33 | 65 | 250 | 30 | 310 | 180 | 148 | 60 | 55568245 | 55568255 | 55568263 |
| 140 | 80 | 40 | 65 | 280 | 35 | 350 | 220 | 168 | 60 | 55568247 | 55568256 | 55568264 |
| 160 | 100 | 40 | 80 | 290 | 39 | 370 | 240 | 178 | 60 | 55568249 | 55568257 | 55568265 |
| | 120 | 45 | 90 | 310 | 45 | 400 | 260 | 188 | 60 | 55568250 | 55568258 | 55568266 |

Dimensions in millimetres



Herbert Hänchen GmbH & Co. KG
Brunnwiesenstr. 3, 73760 Ostfildern
Postfach 4140, 73744 Ostfildern

Fon +49 711 44139-0, Fax +49 711 44139-100
info@haenchen.de, www.haenchen.de

HH2529 / 10-2017